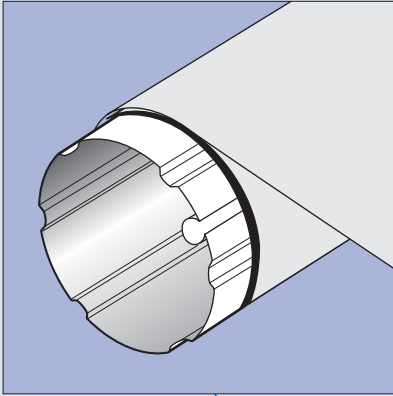
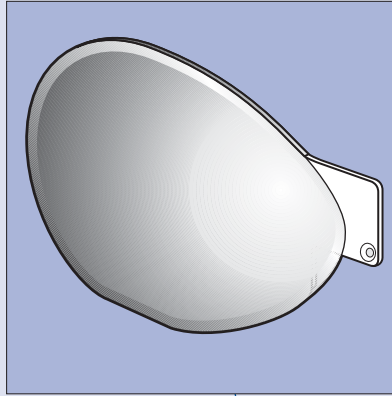


Details

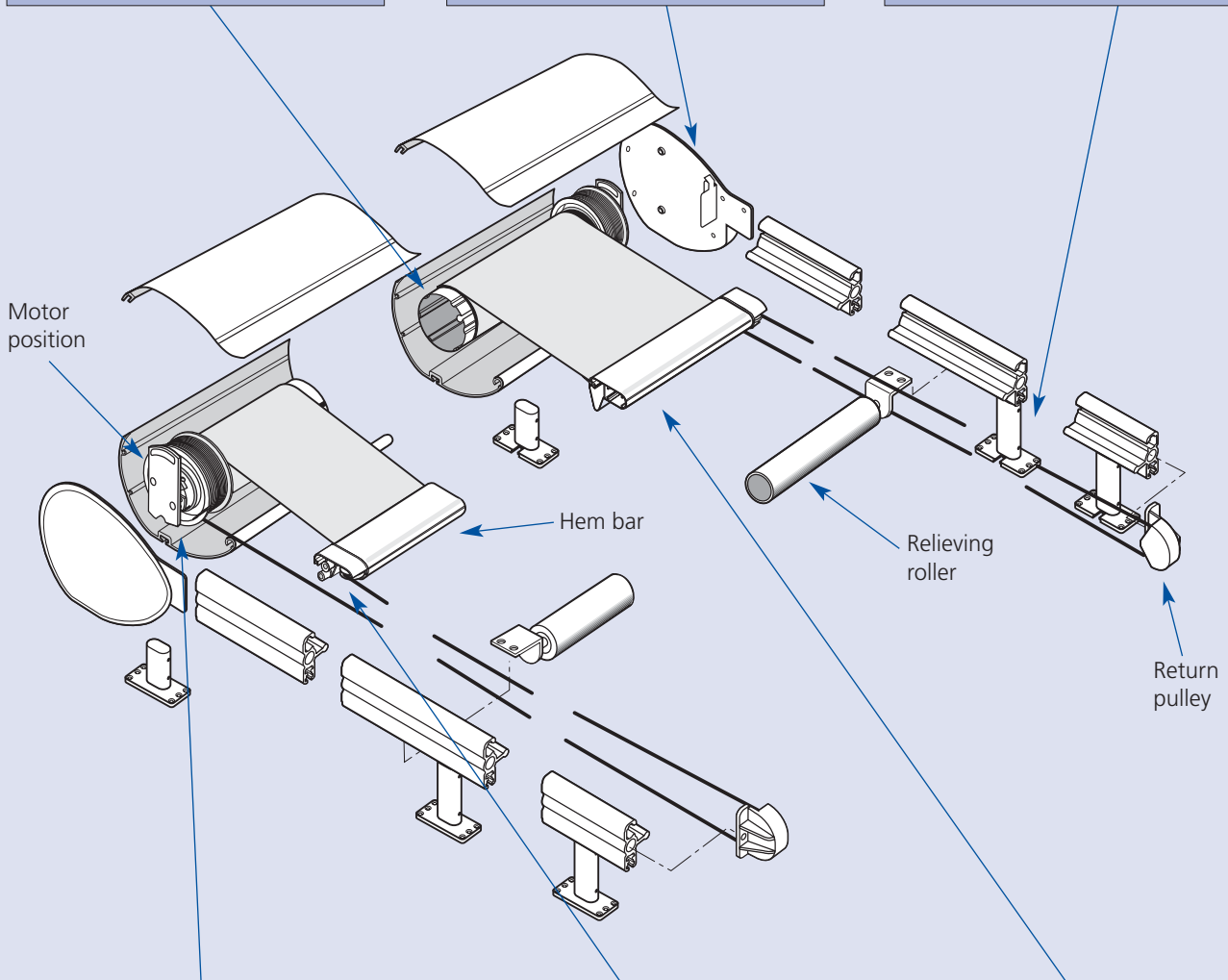
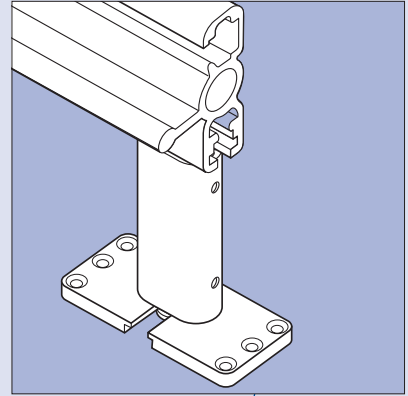
Fabric Roller



Headbox end cap



Guide mounting bracket

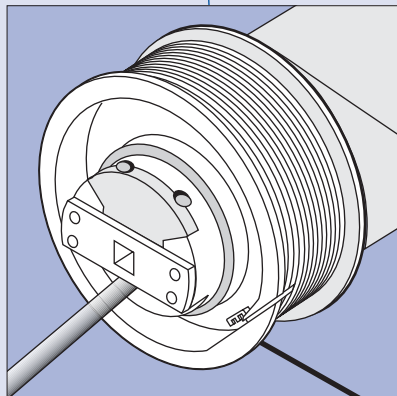


Motor position

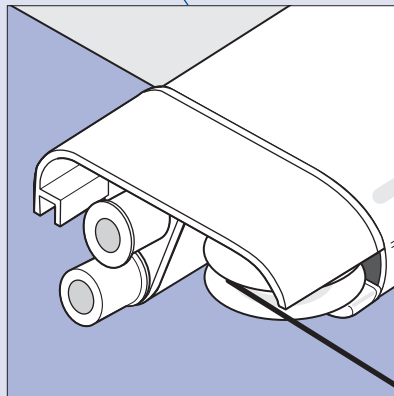
Hem bar

Relieving roller

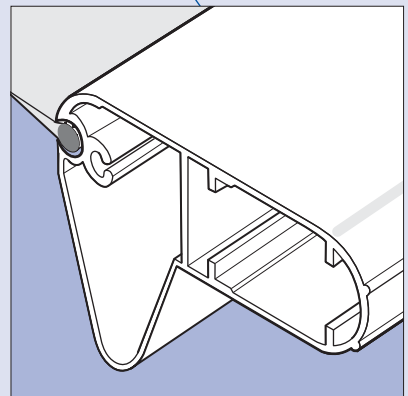
Return pulley



Motor with cable spool (without mounting plate)



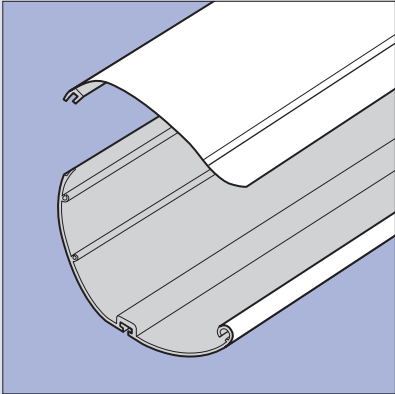
Hem bar end cap



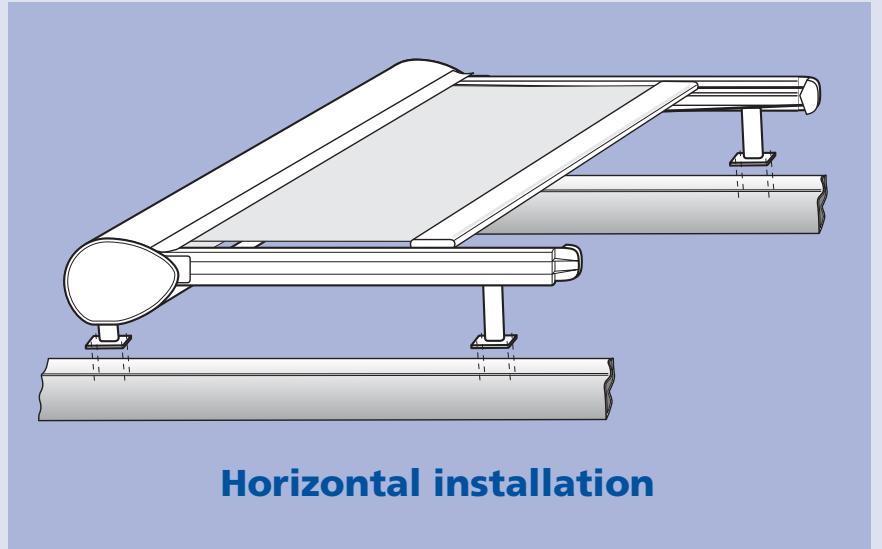
Heavy duty hem bar

Installation examples

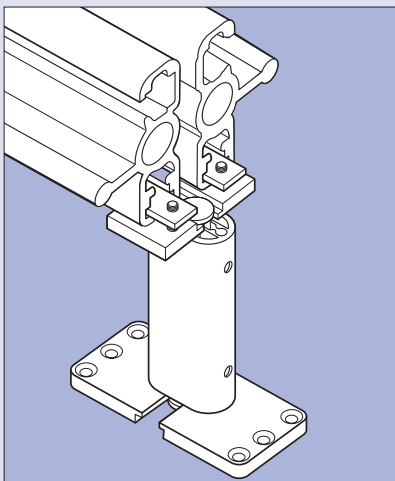
For full installation details see drawings GDP20563 and GDP20609



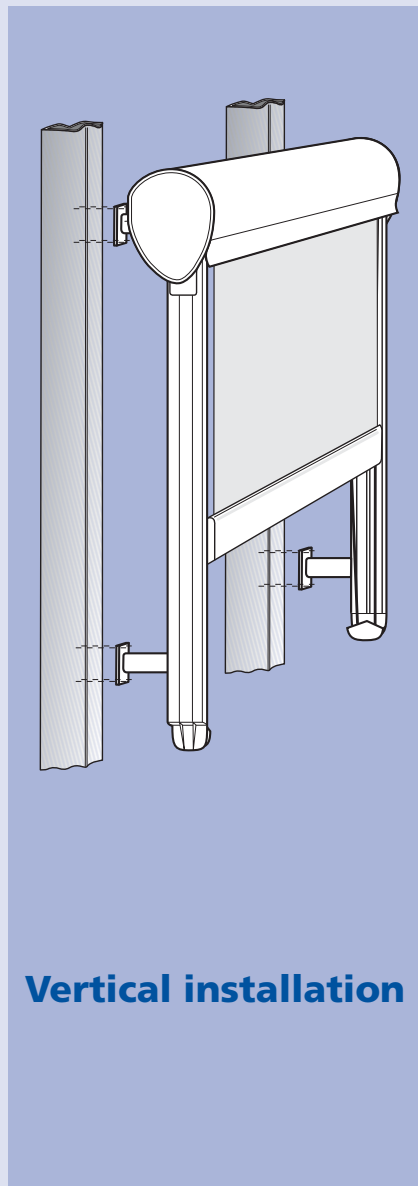
Section through hood



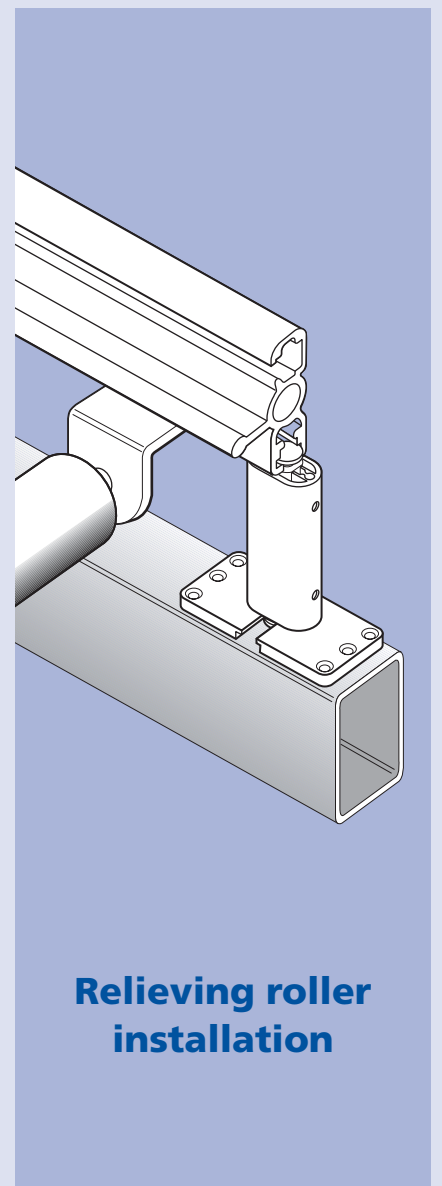
Horizontal installation



Back-to-back mounting



Vertical installation



Relieving roller installation